

## Secure communications KLN type prototype unit

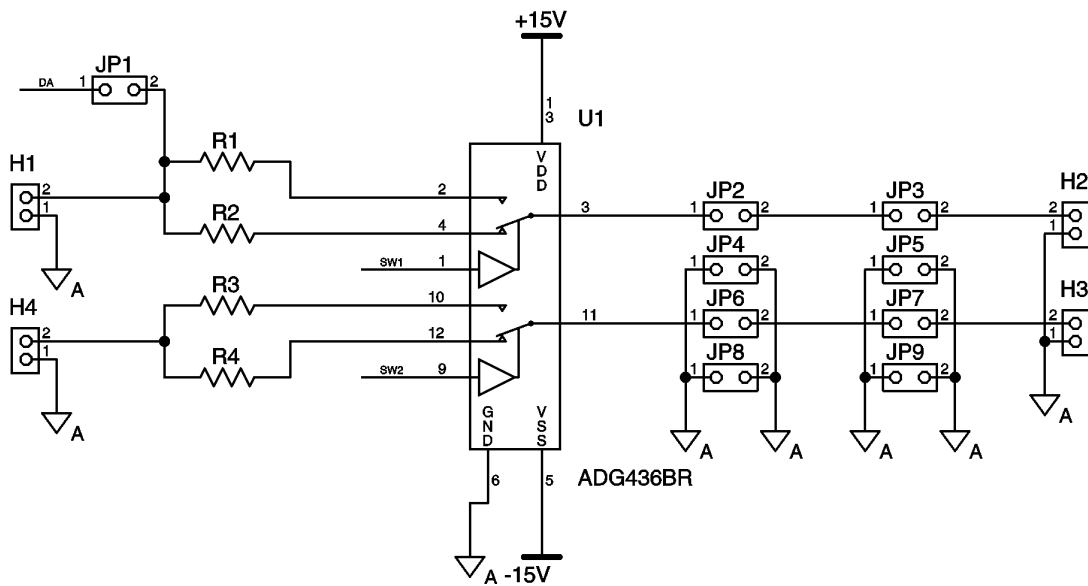
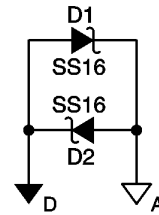
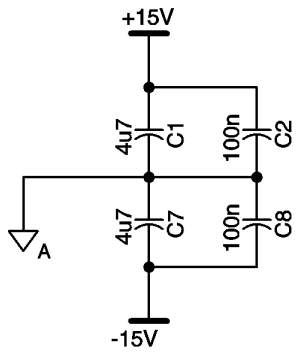
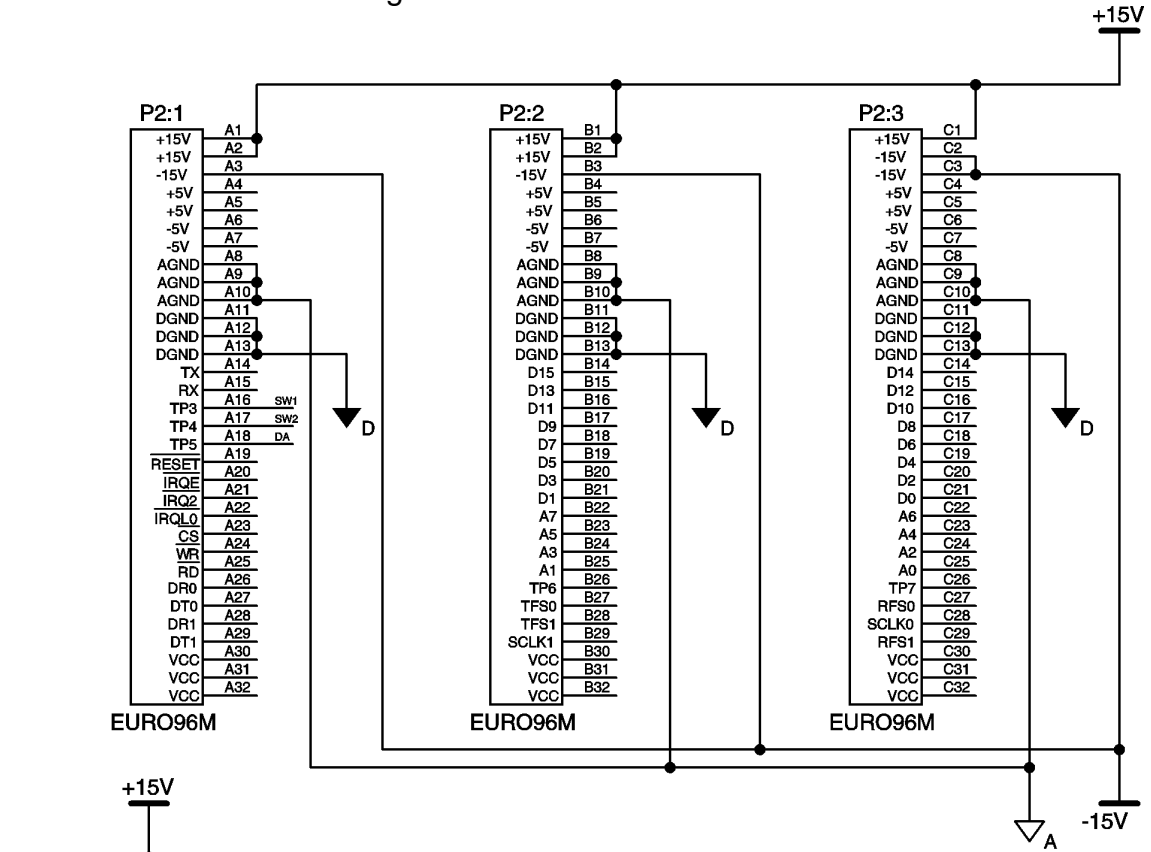
### Specifications:

- DSP and A/D+D/A card is compatible with **DAS1614SD** data acquisition system (DIN41612 connectors)
- 40 MIPS digital signal processor, 128kbytes data memory, 64kbyte program FLASH memory
- A/D conversion and analog inputs
  - 14-bit resolution
  - 2 differential line receiver inputs (software selectable)
  - input overvoltage protection up to -35V..35V out of operating range
  - input voltage range :  $\pm 10V$
  - simultaneous sampling capability on two selected channels
- D/A conversion and analog outputs
  - 2 independent output channels
  - 12-bit resolution
  - 100KHz update rate
  - two high current line drivers
  - programmable AC and DC parameters

### Switching unit:

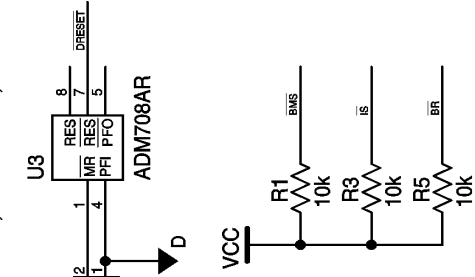
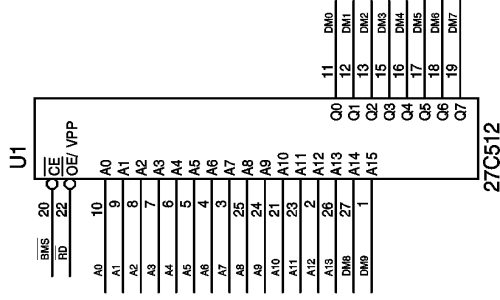
- **DAS1614SD** data acquisition system compatible (DIN41612 connector)
- Fast, dual switch
- Universal configuration jumpers

# Schematics of the switching unit

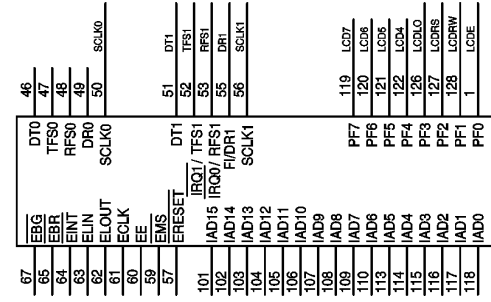


# Schematics of the DSP card

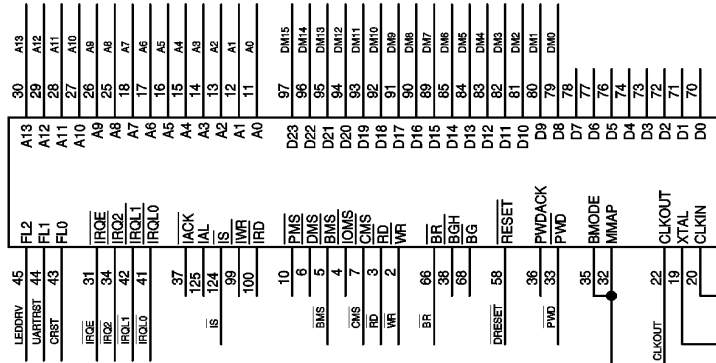
ADM706AR, MAX706CSA, MAX708CSA



U2:B



U2:A



ADSP2181KS2

